

0

1

2

3

4

5

6

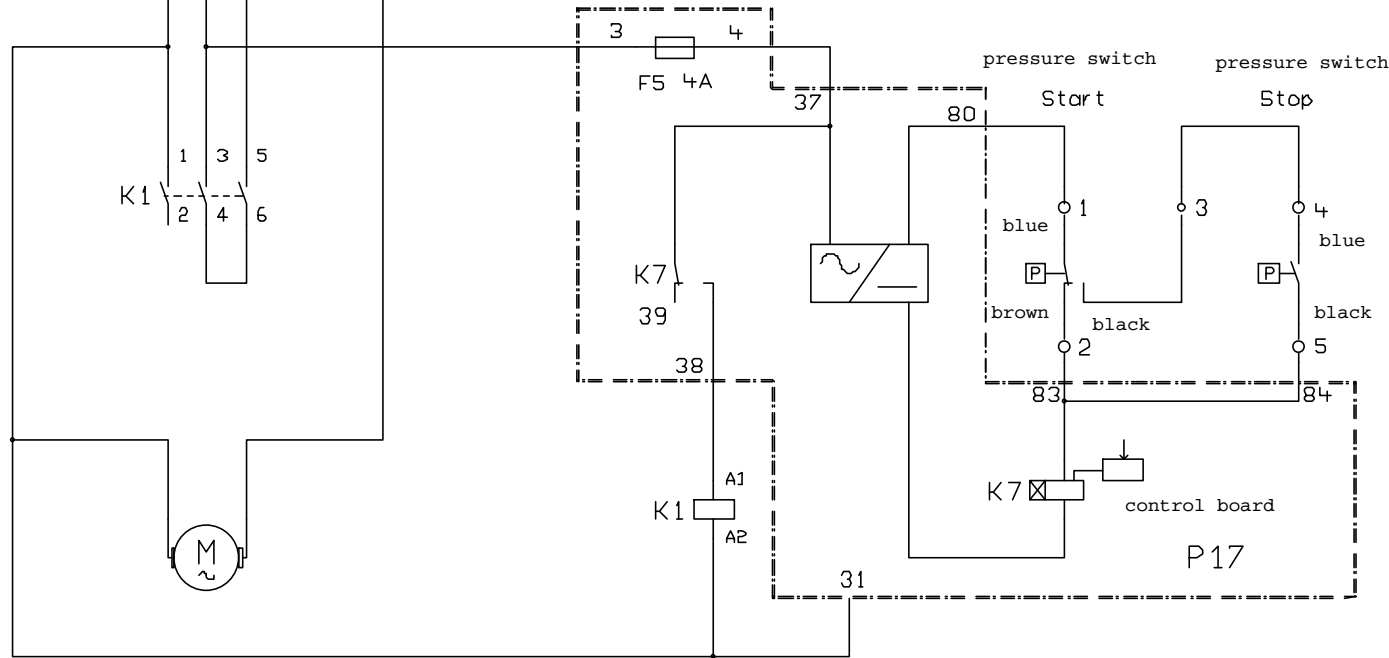
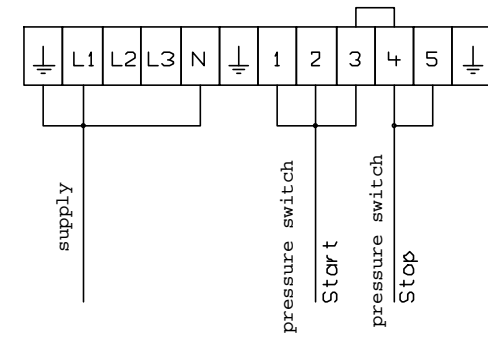
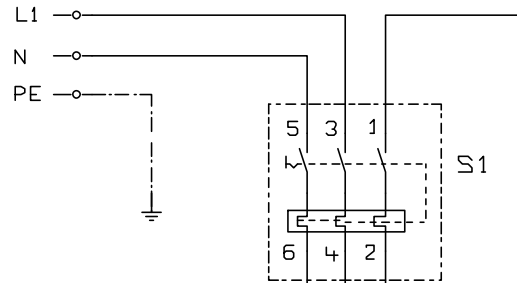
7

8

9

precaution on the construction : max 16A slow
side 230V/LPH N/PE

connection plan



Motor-Pump

| | | | | | | | | | | | |
|-------|----------|-------|--------|-------|----------|---|--|-------------------------|-----------------|-----------|--|
| | | | | Datum | 13.09.12 | Frank GmbH Bochumer Straße 15 D-57234 Wilnsdorf |  www.frank-hdr.de | FC 711 MP FCM 711 MP | FCM1024\FCM z03 | | |
| | | | Bearb. | | | | | | | | |
| | | | Gepr. | | | | | | | | |
| Zust. | Anderung | Datum | Name | Norm | | Urspr. | Ers.f | Ers.d | 230V/50Hz | van 1 Bl. | |